

6 5 4 3 2 1

D

D

C

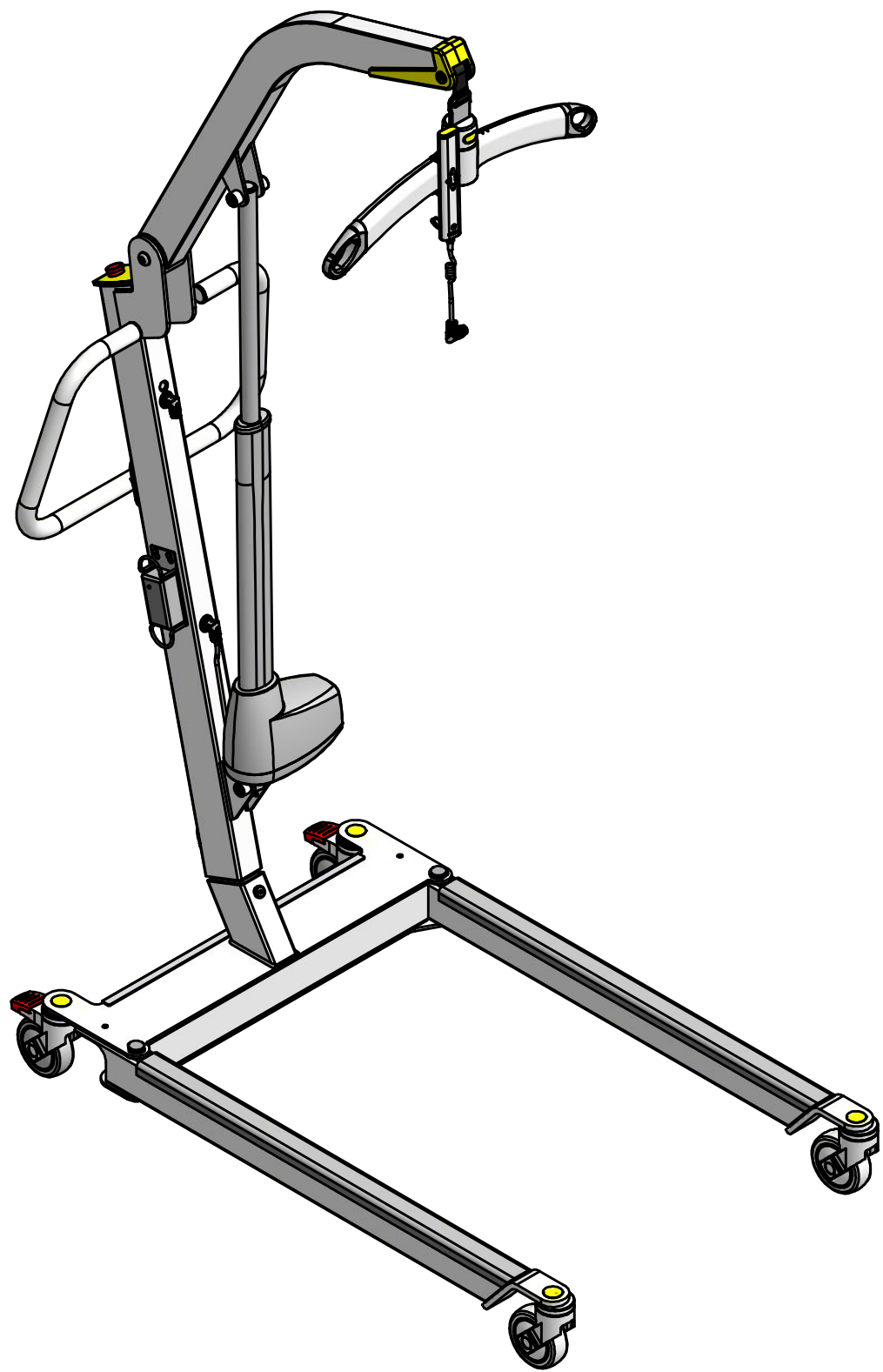
C

B

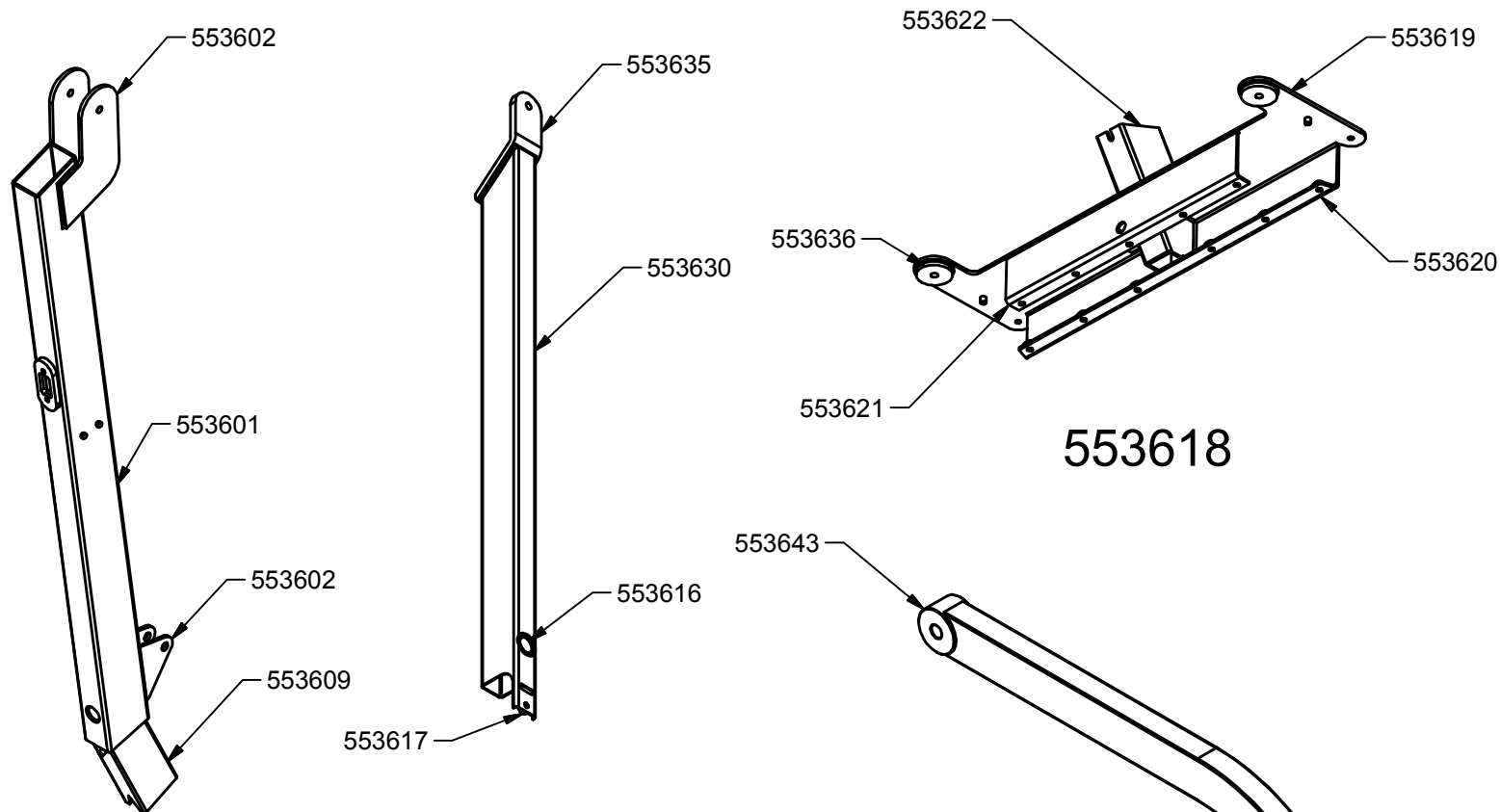
B

A

A



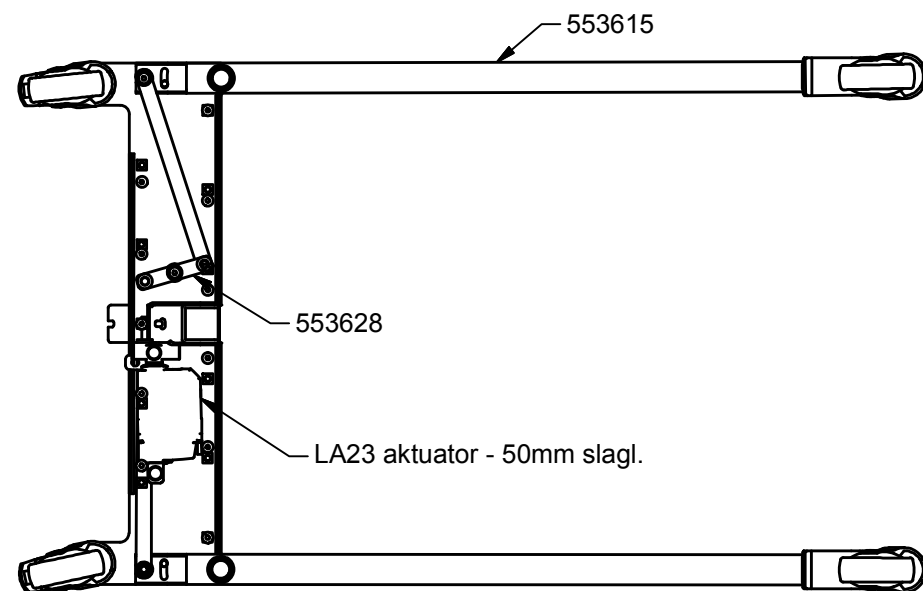
553600



553615

553618

553640



553614

Tolerance:		Surface treatment:		
Material:		Colour:	Weight [kg]:	
Designed by: jta	Drawing by: jta	Date: 15-08-2010	Scale:	Sheet: A3
<b>Guldmann</b> <small>Confidential: Property of V. Guldmann A/S. Not to be handed over to, copied or used by third party.</small>		V. Guldmann A/S Graham Bells Vej 21-23A DK-8200 Århus N Tel. +45 8741 3151 Fax +45 8741 3131 E-mail: info@guldmann.com WWW.guldmann.com		Change no.:
		Product: Mobile Hoist Part: Mobile Lifter, GL5, 205kg		Edition: 0
			Drawing no.: 553600	

6 5 4 3 2 1